



It is a series of low cost but high level of functionality CMOS camera modules. By using the advance image processing technique, it provides more functions then traditional surveillance camera. It is small size, low voltage, low power consumption.

Features:

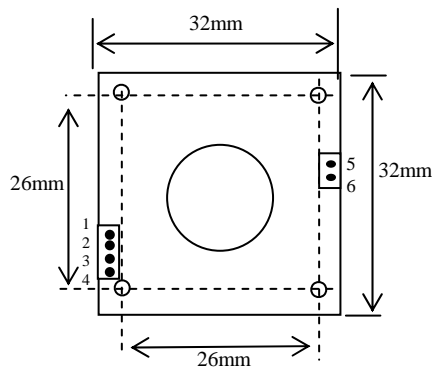
- ✓ Small size : 32x32 mm
- ✓ Wide angle lens
- ✓ Freeze and Zoom function
- ✓ 5VDC operation
- ✓ Low power consumption
- ✓ Full resolution analog output
- ✓ Direct connect to TV monitor
- ✓ Built-in Audio amplifier
- ✓ Automatic white balance
- ✓ Auto exposure/gain control



Application Example

- Video Door phone
- Security and Surveillance System
- Toys

Mechanical Size



Specification

	C2670 (PAL)
Imager	CMOS imager sensor VGA
Video Output	Composite video (75Ω)
Picture Element	640 x 480 pixel
Resolution	380 TV lines
Zoom	1 – 4X
Operation Voltage	5 VDC
Power consumption	200mA
Connectors	2mm pitch
Lens	f=2.2mm F/no: 2.5
View Angle	62 deg diagonal
Board size	32x32mm

Connector Description

- | | | |
|---|-----|--|
| 1 | PWR | Power Supply 6 - 9V DC |
| 2 | AUD | Audio Output |
| 3 | GND | Common Ground for power and video |
| 4 | CVO | Composite Video Output.
Direct connect to TV Video In |
| 5 | TP5 | ADC for key freeze and zoom |
| 6 | TP6 | Ground for key |

Key Circuit Diagram

